

DB 100 NBF 5m T180 DL+

H2 W4 B

surface mounted

K714755B

PRODUCT DATA SHEET

Performance class	H2 W4 B
Working width	1.1 m
Vehicle intrusion	VI1 (0,6 m)
Tested system length	65 m
EC Certification report	725109603_1

System series	DB NBF Series
Product variant	DL+ (plus dynamic loads)
Tension bar	T180
Design	Generation 2

Base element L × B × H	500 × 105 × 100 cm
Base element weight	8,415 kg

Total system height (including noise barrier panels)	200 – 450 cm
Total system width	105 cm

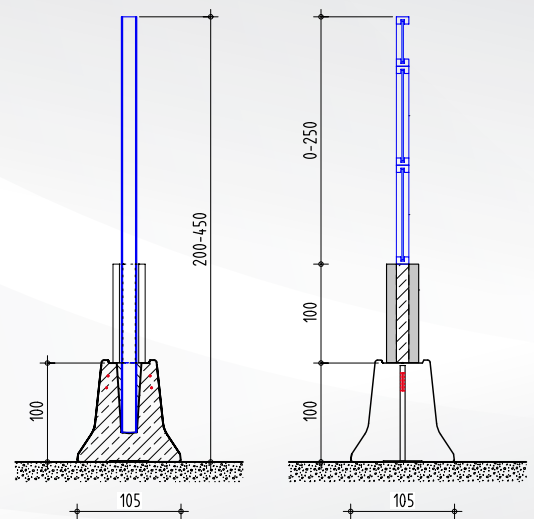
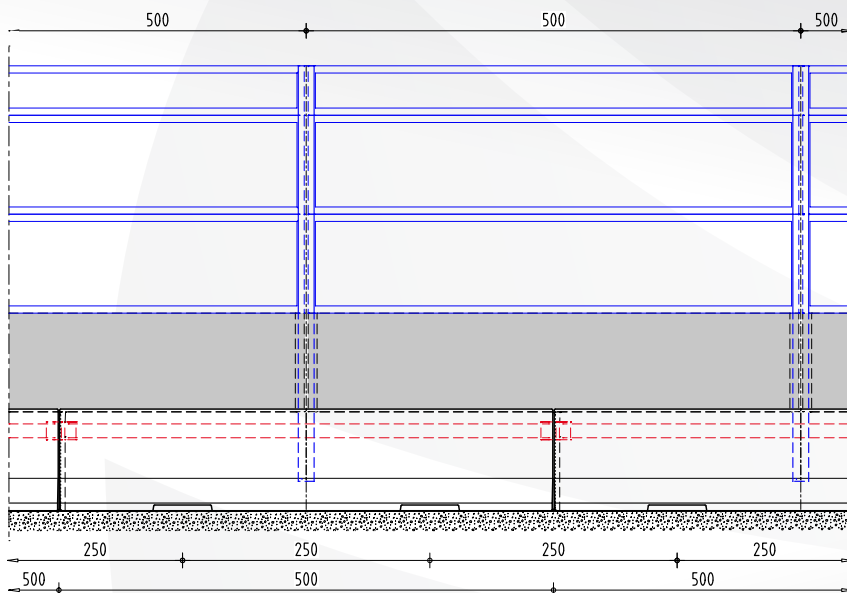
Mode of operation	double sided
Mode of installation	surface mounted
Surface	unbound base course of sandy gravel, asphalt or concrete
Planning width	central reserve 155 cm; verge 130 cm
Terminal anchoring	no
Installation drawing	K714755B-EN

Sound insulation	flexible depending on the used product
Sound absorption	flexible depending on the used product
Curve radius	≥ 123m
Crests radius	≥ 570m
Sagsradius	≥ 960m
Max. deviation of base area in cross direction	7 %

THE DB NBF SERIES ABSORBS NOISE AND IMPACTS

The surface mounted H2 and H4b precast system
for the median and roadside.

TYPE DRAWING

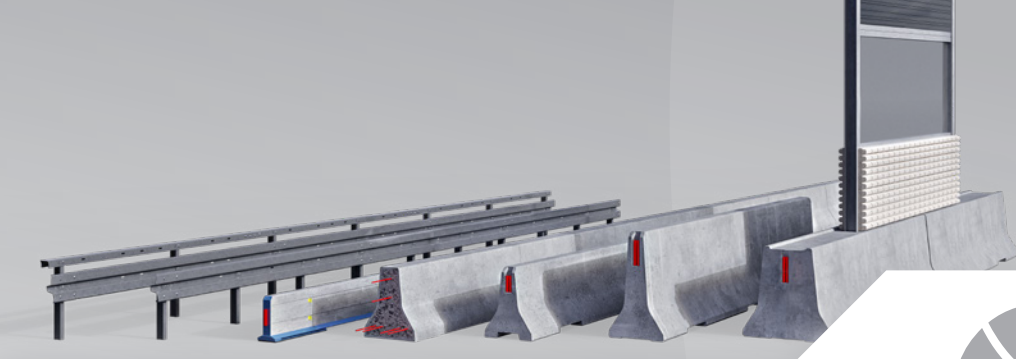


DELTABLOC®

DELTABLOC INTERNATIONAL GMBH

Industriestrasse 28
2601 Sollenau, Austria
office@deltabloc.com
+43 57715 / 470 - 0
deltabloc.com

HOME OF ROAD SAFETY



PHONOBLOC®
NOISE BARRIERS

DB 100 NBF 5m T180 SL
DB 100 NBF 5m T180 SL TA
H2 W4 B
surface mounted

K714755A

K745135A

PRODUCT DATA SHEET

Performance class	H2 W4 B
Working width	1.1 m
Vehicle intrusion	VI1 (0,6 m)
Tested system length	65 m
EC Certification report	725109603_1

System series	DB NBF Series
Product variant	SL (static loads) – Installation with cast-in steel posts SL TA (static loads, temporary application) – Installation with bolted steel posts
Tension bar	T180
Design	Generation 2

Base element L × B × H	500 × 105 × 100 cm
Base element weight	8,415 kg

Total system height (including noise barrier panels)	200 – 450 cm
Total system width	105 cm

Mode of operation	double sided
Mode of installation	surface mounted
Surface	unbound base course of sandy gravel, asphalt or concrete
Planning width	central reserve 155 cm; verge 130 cm
Terminal anchoring	no
Installation drawing	K714755A-EN, K745135A-EN

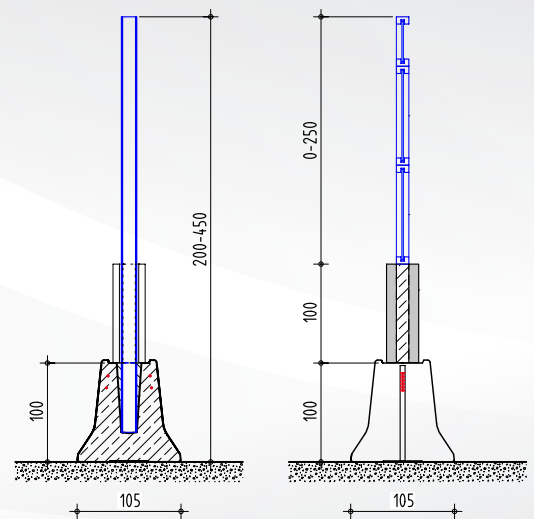
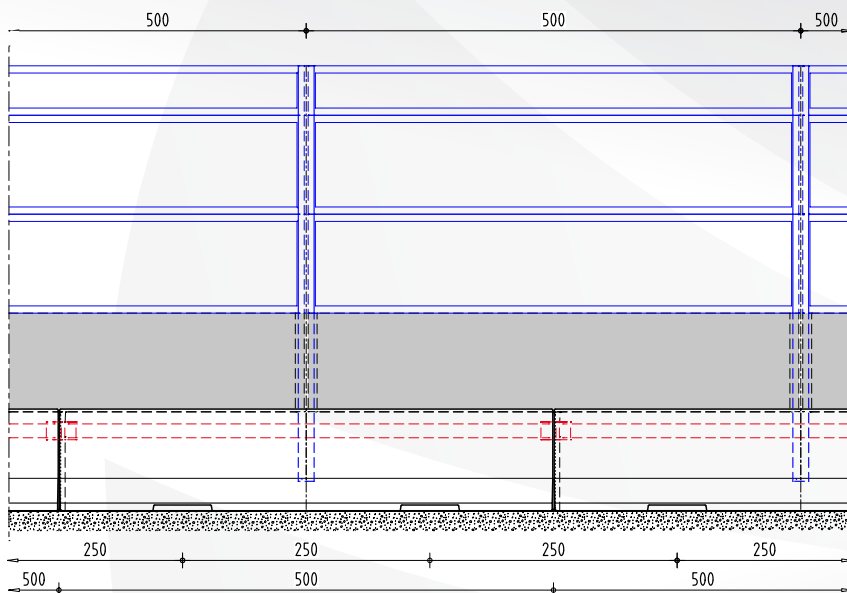
Sound insulation	flexible depending on the used product
Sound absorption	flexible depending on the used product
Curve radius	≥ 123m
Crests radius	≥ 570m
Sagsradius	≥ 960m
Max. deviation of base area in cross direction	7 %

PRODUCT DATA SHEET 2020-04-29

THE DB NBF SERIES ABSORBS NOISE AND IMPACTS

The surface mounted H2 and H4b precast system
for the median and roadside.

TYPE DRAWING



DELTABLOC®

DELTABLOC INTERNATIONAL GMBH

Industriestrasse 28
2601 Sollenau, Austria
office@deltabloc.com
+43 57715 / 470 - 0
deltabloc.com

HOME OF ROAD SAFETY